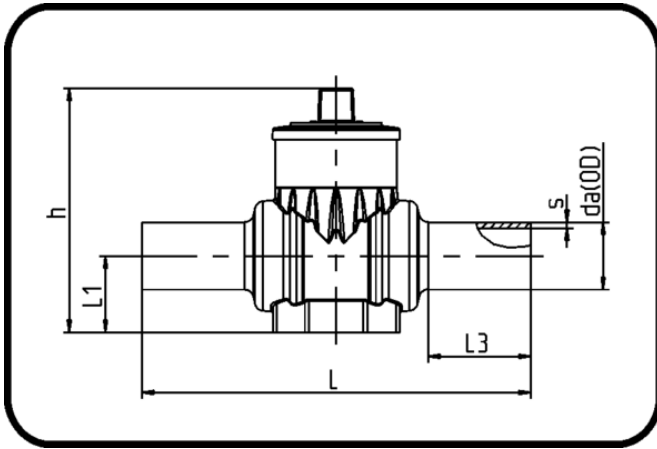


Valves



Code: 333.6

- **Ball Valve PVAW-G+gearbox 1:6**
- EPDM-sealing
- injection moulded
- **Butt+E-socket-welding**
- **PE 100 black**

Dimension	Code	Detail	da(OD) mm	s mm	L mm	L1 mm	h mm	Weight
63	25.333.6063.11	63 - SDR11 MOP 16 bar	63	5,8	412	77	286	4.54
90	25.333.6090.11	90 - SDR11 MOP 16 bar	90	8,2	521	100	340	7.96
110	25.333.6110.11	110 - SDR11 MOP 16 bar	110	10	595	122	378	12.15
125	25.333.6125.11	125 - SDR11 MOP 16 bar	125	11,4	700	122	380	13
160	25.333.6160.11	160 - SDR11 MOP 16 bar	160	14,6	847	165	498	30.8
180	25.333.6180.11	180 - SDR11 MOP 16 bar	180	16,4	883	180	540	40.4
225	25.333.6225.11	225 - SDR11 MOP 16 bar	225	20,5	1.066	215	611	70.6