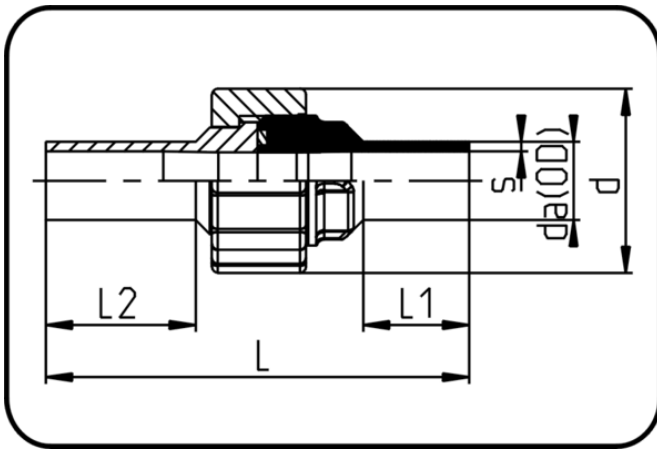


## Fittings



Code: 024

- **Union Type 24**
- FPM-sealing with FDA Approval
- injection moulded
- **Butt+IR+HPF-welding**
- **PVDF UHP natural**

Dim. 20 - 63 Discontinued products.

Dimension	Code	Detail	da(OD) mm	s mm	L mm	L1 mm	L2 mm	d mm	Weight
20	35.024.0020.21	20X1,9 SDR21 ISO S-10	20	1,9	107	26,5	38	47	0.084
40	35.024.0040.21	40X2,4 SDR21 ISO S-10	40	2,4	125	28	42	76,5	0.255
50	35.024.0050.21	50X3,0 SDR21 ISO S-10	50	3	130	25	44	89	0.347
75	35.024.0075.21	75X3,6 SDR21 ISO S-10	75	3,6	132	28	37	130	0.739
90	35.024.0090.21	90X4,3 SDR21 ISO S-10	90	4,3	130	34	55	130	0.712