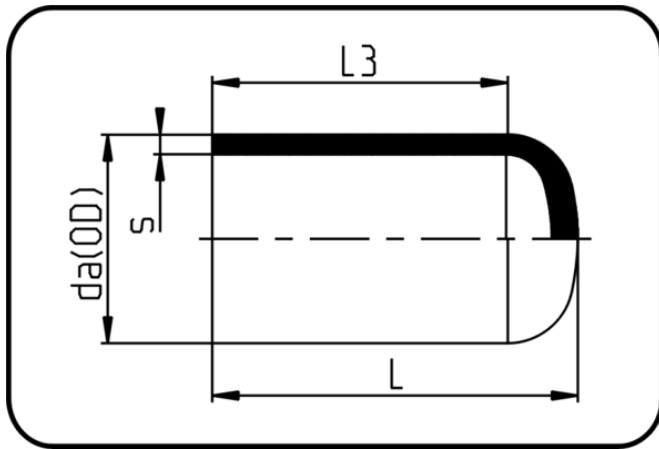


Fittings



Code: 064

- **End Cap**
- long spigot
- injection moulded
- **Butt+IR-welding**
- **ECTFE natural**

Dimension	Code	Detail	da(OD) mm	s mm	L mm	L3 mm	Weight
20	40.064.0020.21	20X1,9 SDR21 ISO S-10	20	1,9	48	41	0.01
25	40.064.0025.21	25X1,9 SDR21 ISO S-10	25	1,9	48	41	0.013
32	40.064.0032.21	32X2,4 SDR21 ISO S-10	32	2,4	52	42	0.025
50	40.064.0050.21	50X3,0 SDR21 ISO S-10	50	3	64	48	0.064
63	40.064.0063.21	63X3,0 SDR21 ISO S-10	63	3	69	50	0.1