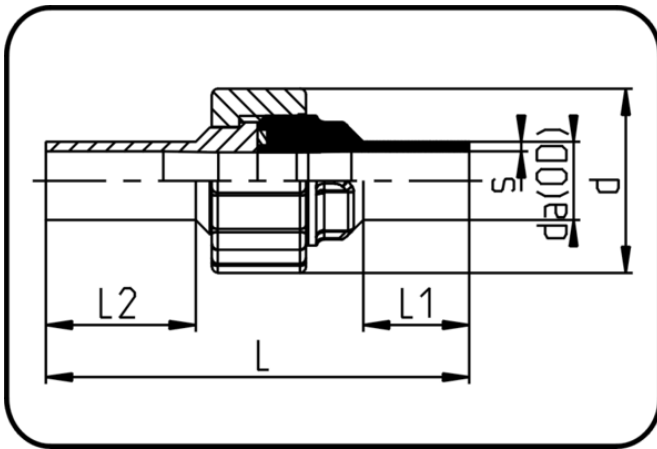


Fittings



Code: 024

- Union Type 24
- FPM-sealing
- injection moulded
- Butt+IR+HPF-welding
- PVDF natural

Dim. 20 - 63 discontinued products.

Dimension	Code	Detail	da(OD) mm	s mm	L mm	L1 mm	L2 mm	d mm	Weight
20	30.024.0020.21	20X1,9 SDR21 ISO S-10	20	1,9	107	24	35,5	47	0.081
25	30.024.0025.21	25X1,9 SDR21 ISO S-10	25	1,9	112	24	36,5	57	0.123
32	30.024.0032.21	32X2,4 SDR21 ISO S-10	32	2,4	119	25	39,3	64	0.169
40	30.024.0040.21	40X2,4 SDR21 ISO S-10	40	2,4	125	25	37,5	76,5	0.256
50	30.024.0050.21	50X3,0 SDR21 ISO S-10	50	3	130	25	40	89	0.346
63	30.024.0063.21	63X3,0 SDR21 ISO S-10	63	3	136	25	40,5	109	0.546
75	30.024.0075.21	75X3,6 SDR21 ISO S-10	75	3,6	132	28	37	130	0.759
90	30.024.0090.21	90X4,3 SDR21 ISO S-10	90	4,3	130	34	55	130	0.73