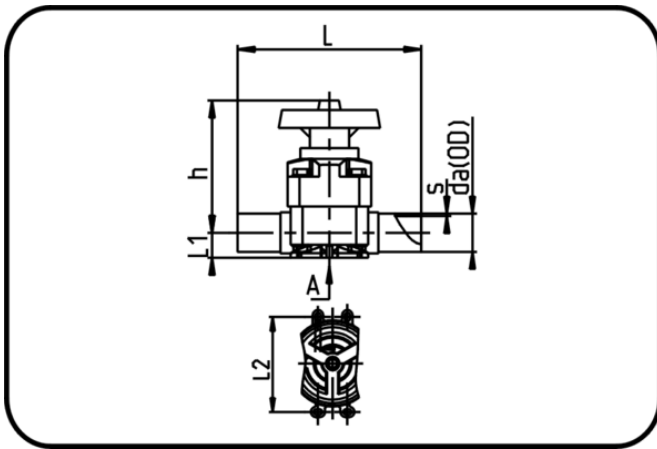


## Valves



Code: 342.10

- Diaphragm Valve
- manually controlled
- EPDM/PTFE diaphragm
- Butt+IR+HPF-welding
- PVDF UHP natural

| Dimension | Code           | Detail                 | da(OD)<br>mm | s<br>mm | L<br>mm | L2<br>mm | h<br>mm | L1<br>mm | Weight |
|-----------|----------------|------------------------|--------------|---------|---------|----------|---------|----------|--------|
| 20        | 35.342.1020.21 | 20 - SDR21 MOP 10 bar  | 20           | 1,9     | 133     | 24,5     | 100     | 16,5     | 0.452  |
| 25        | 35.342.1025.21 | 25 - SDR21 MOP 10 bar  | 25           | 1,9     | 144     | 24,5     | 100     | 16,5     | 0.511  |
| 32        | 35.342.1032.21 | 32 - SDR21 MOP 10 bar  | 32           | 2,4     | 154     | 24,5     | 107     | 20,5     | 0.717  |
| 40        | 35.342.1040.21 | 40 - SDR21 MOP 10 bar  | 40           | 2,4     | 193     | 44       | 144     | 25,5     | 1.52   |
| 50        | 35.342.1050.21 | 50 - SDR21 MOP 10 bar  | 50           | 3       | 194     | 44       | 144     | 32       | 1.68   |
| 63        | 35.342.1063.21 | 63 - SDR21 MOP 10 bar  | 63           | 3       | 224     | 44       | 170     | 38,5     | 2.42   |
| 75        | 35.342.1075.21 | 75 - SDR21 MOP 10 bar  | 75           | 3,6     | 284     | 230      | 254     | 25       | 5.768  |
| 90        | 35.342.1090.21 | 90 - SDR21 MOP 10 bar  | 90           | 4,3     | 310     | 230      | 254     | 25       | 5.795  |
| 110       | 35.342.1011.21 | 110 - SDR21 MOP 10 bar | 110          | 5,3     | 340     | 280      | 320     | 20       | 10.74  |