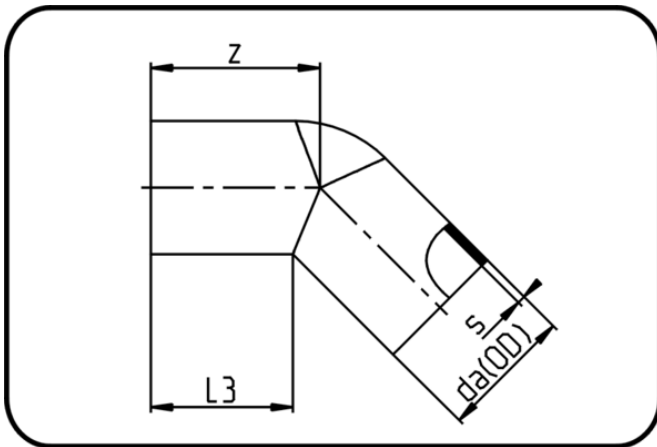


Fittings



Code: 060

- **Elbow 45°**
- long spigot
- injection moulded
- **Butt+IR-welding**
- **ECTFE natural**

Dimension	Code	Detail	da(OD) mm	s mm	z mm	L3 mm	Weight
20	40.060.0020.21	20X1,9 SDR21 ISO S-10	20	1,9	43	39	0.018
25	40.060.0025.21	25X1,9 SDR21 ISO S-10	25	1,9	45	40	0.024
32	40.060.0032.21	32X2,4 SDR21 ISO S-10	32	2,4	52	46	0.044
50	40.060.0050.21	50X3,0 SDR21 ISO S-10	50	3	66	56	0.107
63	40.060.0063.21	63X3,0 SDR21 ISO S-10	63	3	75	62	0.166