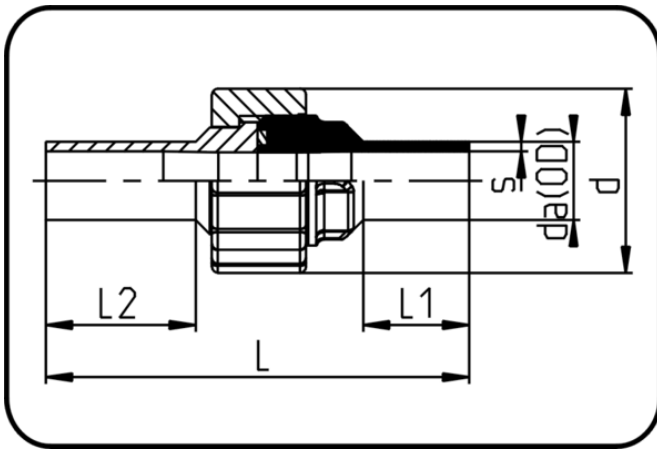


Fittings



Code: 024

- **Union Type 24**
- FPM-sealing with FDA Approval
- injection moulded
- **Butt+IR-welding**
- **ECTFE natural**

Dimension	Code	Detail	da(OD) mm	s mm	L mm	L1 mm	L2 mm	d mm	Weight
20	40.024.0020.21	20X1,9 SDR21 ISO S-10	20	1,9	107	24	35,5	47	0.078
25	40.024.0025.21	25X1,9 SDR21 ISO S-10	25	1,9	112	24	36,5	57	0.091
32	40.024.0032.21	32X2,4 SDR21 ISO S-10	32	2,4	119	25	39,3	64	0.157
50	40.024.0050.21	50x3,0 SDR21 ISO S-10	50	3	130	25	40	89	0.336
63	40.024.0063.21	63x3,0 SDR21 ISO S-10	63	3	136	25	40,5	109	0.535