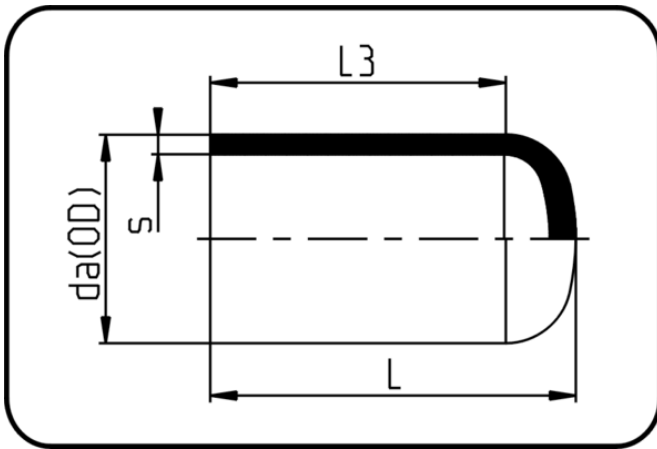


Elongated Fittings



Code: 064

- End Cap
- long spigot
- injection moulded
- Butt+E-socket-welding
- PPR grey

Dimension	Code	Detail	da(OD) mm	s mm	L mm	L3 mm	Weight
20	11.064.0020.11	20X1,9 SDR11 ISO S-5	20	1,9	47	41	0.006
25	11.064.0025.11	25X2,3 SDR11 ISO S-5	25	2,3	49	41	0.008
32	11.064.0032.11	32X2,9 SDR11 ISO S-5	32	2,9	56	47	0.016
40	11.064.0040.11	40X3,7 SDR11 ISO S-5	40	3,7	64	51	0.027
50	11.064.0050.11	50X4,6 SDR11 ISO S-5	50	4,6	73	60	0.048
63	11.064.0063.11	63X5,8 SDR11 ISO S-5	63	5,8	84	68	0.088
75	11.064.0075.11	75X6,8 SDR11 ISO S-5	75	6,8	93	75	0.14
90	11.064.0090.11	90X8,2 SDR11 ISO S-5	90	8,2	109	84	0.24
110	11.064.0110.11	110X10,0 SDR11 ISO S-5	110	10	136	104	0.457
125	11.064.0125.11	125X11,4 SDR11 ISO S-5	125	11,4	138	102	0.565
140	11.064.0140.11	140X12,7 SDR11 ISO S-5	140	12,7	144	106	0.788
160	11.064.0160.11	160X14,6 SDR11 ISO S-5	160	14,6	170	118,5	1.14
180	11.064.0180.11	180X16,4 SDR11 ISO S-5	180	16,4	164	115	1.42
200	11.064.0200.11	200X18,2 SDR11 ISO S-5	200	18,2	181	127	1.9
225	11.064.0225.11	225X20,5 SDR11 ISO S-5	225	20,5	202	131	2.68
250	11.064.0250.11	250X22,7 SDR11 ISO S-5	250	22,7	230	161	3.76
280	11.064.0280.11	280X25,4 SDR11 ISO S-5	280	25,4	257	162	5.24
315	11.064.0315.11	315X28,6 SDR11 ISO S-5	315	28,6	272	171	6.87