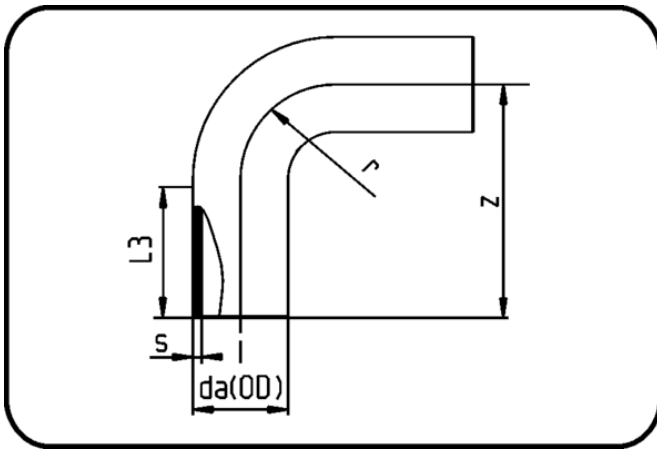


MULTI Fittings



Code: 068

- **MULTI-Bend 90°**
- long spigot
- injection moulded
- **Butt+IR-welding**
- **ECTFE natural**

Dimension	Code	Detail	da(OD) mm	s mm	z mm	r mm	L3 mm	Weight
20	40.068.0020.21	20X1,9 SDR21 ISO S-10	20	1,9	51	20	33	0.02
25	40.068.0025.21	25X1,9 SDR21 ISO S-10	25	1,9	56	25	33	0.028
32	40.068.0032.21	32X2,4 SDR21 ISO S-10	32	2,4	63	32	33	0.05
50	40.068.0050.21	50X3,0 SDR21 ISO S-10	50	3	84	50	36	0.124
63	40.068.0063.21	63X3,0 SDR21 ISO S-10	63	3	97	63	34	0.192
90	40.068.0090.21	90X4,3 SDR21 ISO S-10	90	4,3	123	90	34	0.5
110	40.068.0110.21	110X5,3 SDR21 ISO S-10	110	5,3	142	110	34	0.839