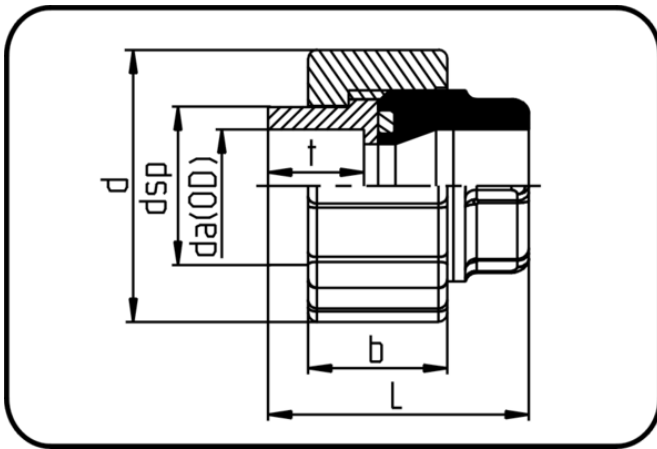


Fittings for Socket Welding



Code: 024.11

- **Union Type 24**
- FPM-sealing
- injection moulded
- **Socket-welding**
- **PPR grey**

Dimension	Code	Detail	da(OD) mm	L mm	d mm	b mm	dsp mm	t mm	Weight
20	11.024.1120.07	20 - MOP 10 bar	20	45	47	24	27,3	16	0.036
25	11.024.1125.07	25 - MOP 10 bar	25	49	57	26	35,7	18	0.06
32	11.024.1132.07	32 - MOP 10 bar	32	53	64	30	41,3	20	0.079
40	11.024.1140.07	40 - MOP 10 bar	40	59	78	31	52,8	22	0.131
50	11.024.1150.07	50 - MOP 10 bar	50	67	89	35	58,6	24,5	0.18
63	11.024.1163.07	63 - MOP 10 bar	63	79	109	39	73,6	29	0.3