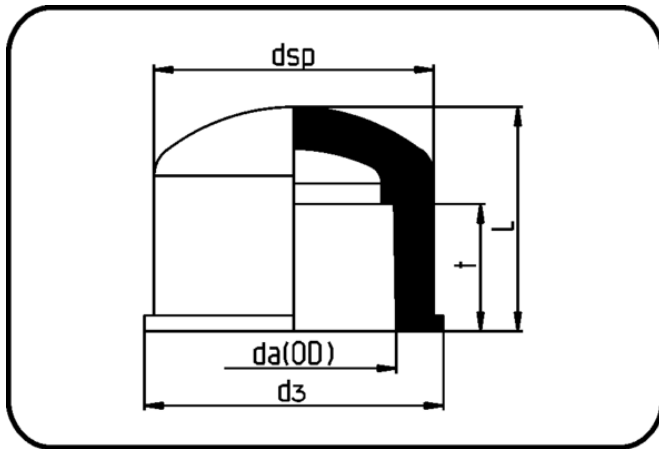


Fittings for Socket Welding



Code: 054

- End Cap
- injection moulded
- Socket-welding
- PVDF natural

Dimension	Code	Detail	da(OD) mm	L mm	d3 mm	dsp mm	t mm	p bar	Weight
20	30.054.0020.07	20 - MOP 20 bar	20	27	32	29	15,5	20	0.021
25	30.054.0025.07	25 - MOP 20 bar	25	30	37	35	17,5	20	0.025
32	30.054.0032.07	32 - MOP 20 bar	32	35	46	43	19,5	20	0.047
40	30.054.0040.07	40 - MOP 20 bar	40	39	57	52	22,5	20	0.074
50	30.054.0050.07	50 - MOP 20 bar	50	49	69	64	24	20	0.132
63	30.054.0063.07	63 - MOP 20 bar	63	59	86	81	30	20	0.237
75	30.054.0075.07	75 - MOP 20 bar	75	66	97	92	33,5	20	0.297
90	30.054.0090.07	90 - MOP 20 bar	90	77	119	113	36,5	20	0.53
110	30.054.0110.07	110 - MOP 20 bar	110	92	139	133	42,5	20	0.806