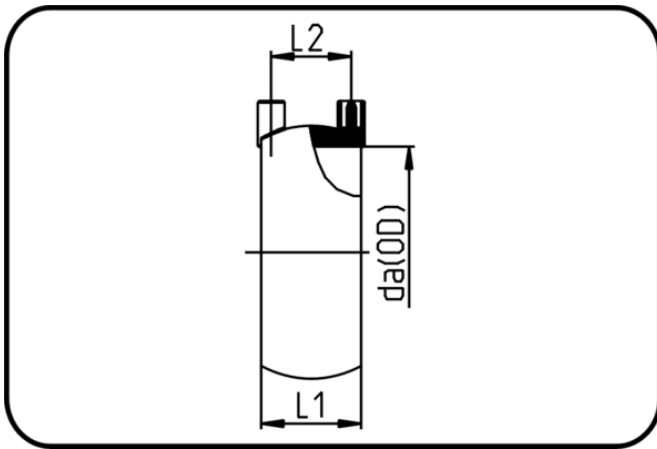


Fittings



Code: 073

- HPF-E-Socket
- injection moulded
- HPF-welding
- PVDF UHP natural

Dimension	Code	Detail	da(OD) mm	L1 mm	L2 mm	Weight
20	35.073.0020.21	20X1,9 MOP 16 bar	20,4	20	15	0.018
25	35.073.0025.21	25X1,9 MOP 16 bar	25,4	20	15	0.019
32	35.073.0032.21	32X2,4 MOP 16 bar	32,35	20,5	15	0.022
40	35.073.0040.21	40X2,4 MOP 16 bar	40,35	25	20	0.035
50	35.073.0050.21	50X3,0 MOP 16 bar	50,35	30	24	0.048
63	35.073.0063.21	63X3,0 MOP 16 bar	63,45	30	24	0.061