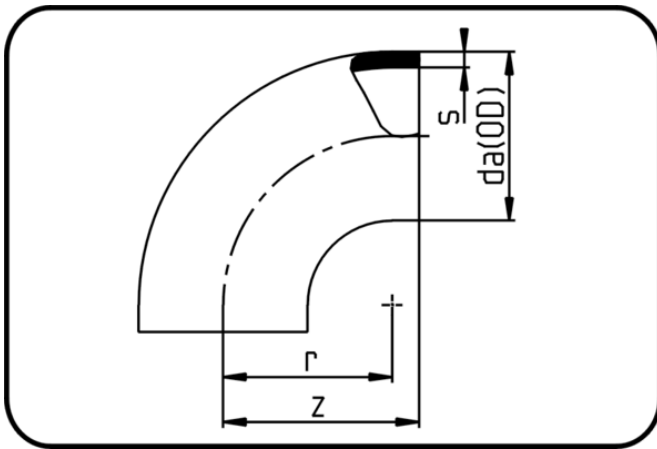


Fittings



Code: 001

- **Bend 90°**
- short spigot
- injection moulded
- **Butt+IR-welding**
- **PVDF natural**

Dimension	Code	Detail	da(OD) mm	s mm	z mm	r mm	Weight
125	30.001.0125.33	125X3,9 SDR33 ISO S-16	125	3,9	135	125	0.647
140	30.001.0140.33	140X4,3 SDR33 ISO S-16	140	4,3	148	140	0.882
160	30.001.0160.33	160X4,9 SDR33 ISO S-16	160	4,9	181	157	1.415
180	30.001.0180.33	180X5,5 SDR33 ISO S-16	180	5,5	200	175	2
200	30.001.0200.33	200X6,2 SDR33 ISO S-16	200	6,2	217	196	2.756
225	30.001.0225.33	225X6,9 SDR33 ISO S-16	225	6,9	243	225	3.68
250	30.001.0250.33	250X7,7 SDR33 ISO S-16	250	7,7	287	250	5.46
280	30.001.0280.33	280X8,6 SDR33 ISO S-16	280	8,6	288	280	6.965
315	30.001.0315.33	315X9,7 SDR33 ISO S-16	315	9,7	338	300	10.1
125	30.001.0125.21	125X6,0 SDR21 ISO S-10	125	6	135	125	0.944
140	30.001.0140.21	140X6,7 SDR21 ISO S-10	140	6,7	148	140	1.33
160	30.001.0160.21	160X7,7 SDR21 ISO S-10	160	7,7	181	157	2.03
180	30.001.0180.21	180X8,6 SDR21 ISO S-10	180	8,6	200	175	2.87
200	30.001.0200.21	200X9,6 SDR21 ISO S-10	200	9,6	217	196	3.8
225	30.001.0225.21	225X10,8 SDR21 ISO S-10	225	10,8	243	225	5.55
250	30.001.0250.21	250X11,9 SDR21 ISO S-10	250	11,9	287	250	7.8
280	30.001.0280.21	280X13,4 SDR21 ISO S-10	280	13,4	288	280	10.29