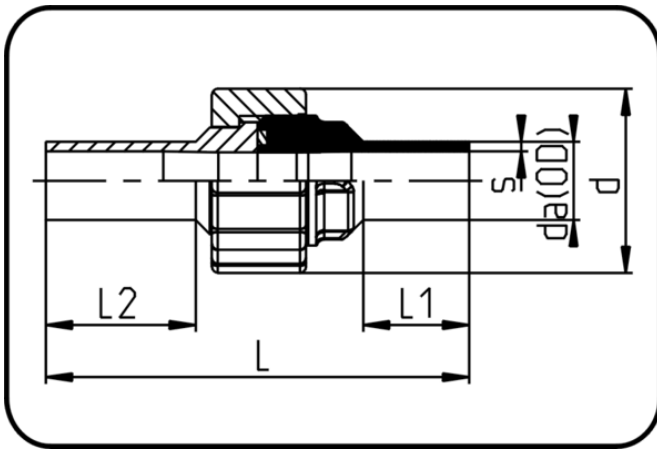


Fittings with short Spigot



Code: 024

- Union Type 24
- FPM-sealing
- injection moulded
- Butt-welding
- PPR grey

Dimension	Code	Detail	da(OD) mm	s mm	L mm	L1 mm	L2 mm	d mm	Weight
20	11.024.0120.11	20X1,9 SDR11 ISO S-5	20	1,9	108	24	38	47	0.046
25	11.024.0125.11	25X2,3 SDR11 ISO S-5	25	2,3	114	24	39	57	0.075
32	11.024.0132.11	32X2,9 SDR11 ISO S-5	32	2,9	122	25	39	64	0.106
40	11.024.0140.11	40X3,7 SDR11 ISO S-5	40	3,7	128	25	42	78	0.168
50	11.024.0150.11	50X4,6 SDR11 ISO S-5	50	4,6	134	25	44	89	0.228
63	11.024.0163.11	63X5,8 SDR11 ISO S-5	63	5,8	138	25	44	109	0.382
75	11.024.0175.11	75X6,8 SDR11 ISO S-5	75	6,8	132	28	37	130	0.593
90	11.024.0190.11	90X8,2 SDR11 ISO S-5	90	8,2	133	35,5	57	130	0.609