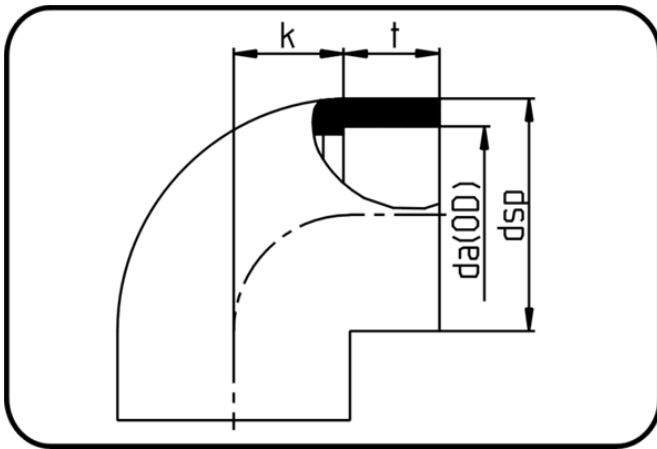


## Fittings for Socket Welding



Code: 051

- Elbow 90°
- injection moulded
- Socket-welding
- PVDF natural

Dimension	Code	Detail	da(OD) mm	dsp mm	t mm	k mm	p bar	Weight
20	30.051.0020.07	20 - MOP 20 bar	20	28	15	14	20	0.03
25	30.051.0025.07	25 - MOP 20 bar	25	32,5	16,5	16	20	0.042
32	30.051.0032.07	32 - MOP 20 bar	32	41	18,5	20	20	0.07
40	30.051.0040.07	40 - MOP 20 bar	40	49	21,5	23	20	0.104
50	30.051.0050.07	50 - MOP 20 bar	50	60	24	27,5	20	0.167
63	30.051.0063.07	63 - MOP 20 bar	63	74,5	28	33,5	20	0.303
75	30.051.0075.07	75 - MOP 20 bar	75	92	32,5	39	20	0.593
90	30.051.0090.07	90 - MOP 20 bar	90	113	36	50	20	1.08
110	30.051.0110.07	110 - MOP 20 bar	110	132	41,5	58,5	20	1.595