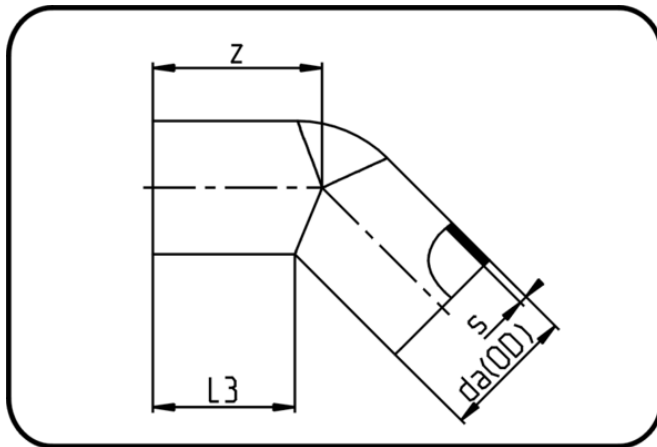


## Elongated Fittings



Code: 060

- **Elbow 45°**
- long spigot
- injection moulded
- **Butt+E-socket-welding**
- **PPR grey**

Dimension	Code	Detail	da(OD) mm	s mm	z mm	L3 mm	Weight
40	11.060.0040.11	40X3,7 SDR11 ISO S-5	40	3,7	63	53	0.051
50	11.060.0050.11	50X4,6 SDR11 ISO S-5	50	4,6	70	57	0.091
63	11.060.0063.11	63X5,8 SDR11 ISO S-5	63	5,8	80	67	0.165
75	11.060.0075.17	75X4,5 SDR17 ISO S-8	75	4,5	90	70	0.175