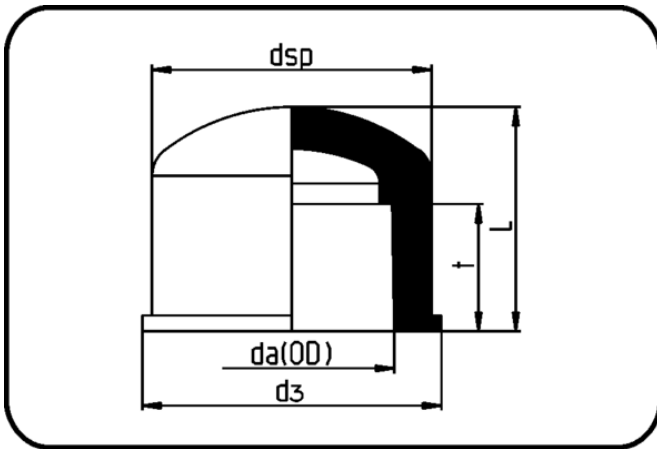


Fittings for Socket Welding



Code: 054

- End Cap
- injection moulded
- Socket-welding
- PPR grey

Dimension	Code	Detail	da(OD) mm	L mm	d3 mm	dsp mm	t mm	p bar	Weight
20	11.054.0020.07	20 - MOP 16 bar	20	26	32	29	16	10	0.01
25	11.054.0025.07	25 - MOP 16 bar	25	28,5	38	35	18	10	0.014
32	11.054.0032.07	32 - MOP 16 bar	32	35	46	43	20	10	0.024
40	11.054.0040.07	40 - MOP 16 bar	40	39	58	52,5	22	10	0.037
50	11.054.0050.07	50 - MOP 16 bar	50	50	70	64,5	25	10	0.066
63	11.054.0063.07	63 - MOP 16 bar	63	61	86,5	81	30	10	0.13
75	11.054.0075.07	75 - MOP 16 bar	75	67	98	92,5	32	10	0.16
90	11.054.0090.07	90 - MOP 16 bar	90	77	119	113	37	10	0.273
110	11.054.0110.07	110 - MOP 10 bar	110	93	140,5	133,5	42,5	10	0.419