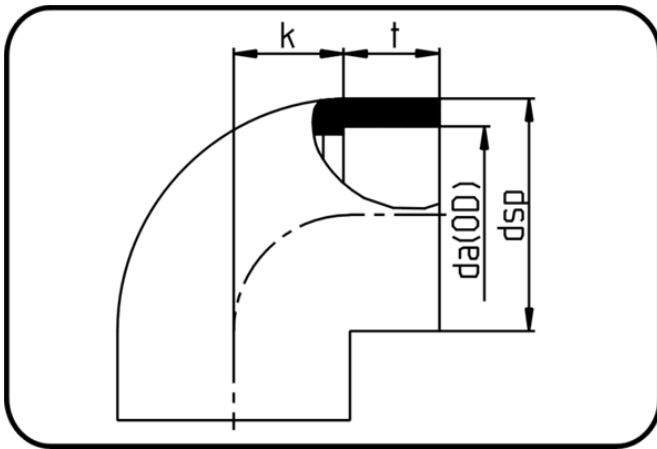


Fittings



Code: 051

- Elbow 90°
- injection moulded
- Socket-welding
- PE 100 blue

Dimension	Code	Detail	da(OD) mm	dsp mm	t mm	k mm	p bar	Weight
20	22.051.0020.07	20 - MOP 16 bar	20	29,3	16	14	16	0.021
25	22.051.0025.07	25 - MOP 16 bar	25	35,1	18	17	16	0.033
32	22.051.0032.07	32 - MOP 16 bar	32	43,2	19,5	20	16	0.049
40	22.051.0040.07	40 - MOP 16 bar	40	53,3	21,5	25	16	0.084
50	22.051.0050.07	50 - MOP 16 bar	50	65	25	28	16	0.14
63	22.051.0063.07	63 - MOP 16 bar	63	81,5	30,5	35	16	0.267
75	22.051.0075.07	75 - MOP 16 bar	75	92	32	39	16	0.323
90	22.051.0090.07	90 - MOP 16 bar	90	110	36,5	46	16	0.493
110	22.051.0110.07	110 - MOP 16 bar	110	133	43	57	16	0.815