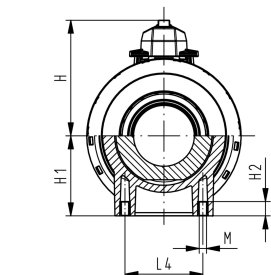
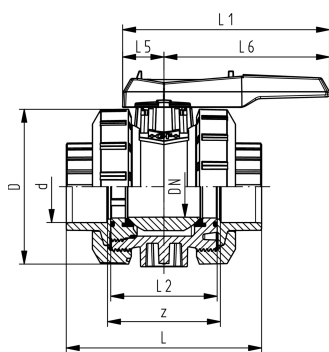
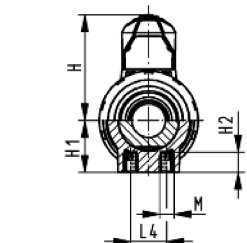
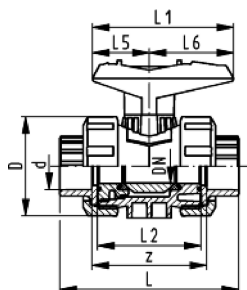
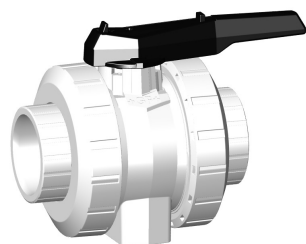


DN10/15 - 50



kogelkraan type 546, SYGEF® Standaard, PVDF met inserts met lasmof, metrisch

uitvoering:

- materiaal: PVDF
- radiaal in- en uitbouwbaar
- kogelafdichting uit PTFE
- geïntegreerde draadbussen (inserts) voor de bevestiging van de afsluiter
- z-maat, inlegdeel en wartelmoer zijn niet compatibel met type 346

optioneel:

- individuele configuratie van de afsluiter
- multifunctie-module met geïntegreerde eindschakelaars
- stelaandrijvingen pneumatisch en elektrisch

| d (mm) | DN (mm) | PN (bar) | kv-waarde ($\Delta p=1$ bar) (L/min) | FPM code | SP | GP | gewicht (kg) |
|-----------|------------|-------------|---|-------------|----|----|-----------------|
| 16 | 10 | 16 | 71 | 175 546 411 | 1 | 10 | 0,195 |
| 20 | 15 | 16 | 185 | 175 546 412 | 1 | 10 | 0,197 |
| 25 | 20 | 16 | 350 | 175 546 413 | 1 | 10 | 0,302 |
| 32 | 25 | 16 | 700 | 175 546 414 | 1 | 10 | 0,431 |
| 40 | 32 | 16 | 1000 | 175 546 415 | 1 | 6 | 0,760 |
| 50 | 40 | 16 | 1600 | 175 546 416 | 1 | 6 | 1,011 |
| 63 | 50 | 16 | 3100 | 175 546 417 | 1 | 4 | 1,856 |
| 75 | 65 | 16 | 5000 | 175 546 418 | 1 | 0 | 6,300 |
| 90 | 80 | 16 | 7000 | 175 546 419 | 1 | 0 | 9,500 |
| 110 | 100 | 16 | 11000 | 175 546 420 | 1 | 0 | 15,000 |

| d (mm) | DN (mm) | D (mm) | H (mm) | H1 (mm) | H2 (mm) | L (mm) | L1 (mm) | L2 (mm) | L4 (mm) | L5 (mm) | L6 (mm) | M | z (mm) | inch bena- dering (inch) |
|-----------|------------|-----------|-----------|------------|------------|-----------|------------|------------|------------|------------|------------|-----|-----------|-----------------------------------|
| 16 | 10 | 50 | 79 | 27 | 12 | 93 | 77 | 56 | 25 | 32 | 45 | M6 | 67 | 3/8 |
| 20 | 15 | 50 | 57 | 27 | 12 | 95 | 77 | 56 | 25 | 32 | 45 | M6 | 66 | 1/2 |
| 25 | 20 | 58 | 67 | 30 | 12 | 109 | 97 | 65 | 25 | 39 | 58 | M6 | 77 | 3/4 |
| 32 | 25 | 68 | 73 | 36 | 12 | 119 | 97 | 71 | 25 | 39 | 58 | M6 | 83 | 1 |
| 40 | 32 | 84 | 90 | 44 | 15 | 135 | 128 | 85 | 45 | 54 | 74 | M8 | 99 | 1 1/4 |
| 50 | 40 | 97 | 97 | 51 | 15 | 147 | 128 | 89 | 45 | 54 | 74 | M8 | 105 | 1 1/2 |
| 63 | 50 | 124 | 116 | 64 | 15 | 168 | 152 | 101 | 45 | 66 | 87 | M8 | 117 | 2 |
| 75 | 65 | 166 | 149 | 85 | 15 | 233 | 270 | 136 | 70 | 64 | 206 | M8 | 167 | 2 1/2 |
| 90 | 80 | 200 | 161 | 105 | 15 | 254 | 270 | 141 | 70 | 64 | 206 | M8 | 180 | 3 |
| 110 | 100 | 238 | 178 | 123 | 22 | 301 | 320 | 164 | 120 | 64 | 256 | M12 | 215 | 4 |

Datasheet

valid from: 23-1-16



The technical data are not binding. They neither constitute expressly warranted characteristics nor guaranteed properties nor a guaranteed durability. They are subject to modification. Our General Terms of Sale apply.

Georg Fischer Piping Systems Ltd, Postfach, CH-8201 Schaffhausen/Switzerland

Phone +41 -(0)52-631 1111

e-mail: info.ps@georgfischer.com

Internet: <http://www.gfps.com>