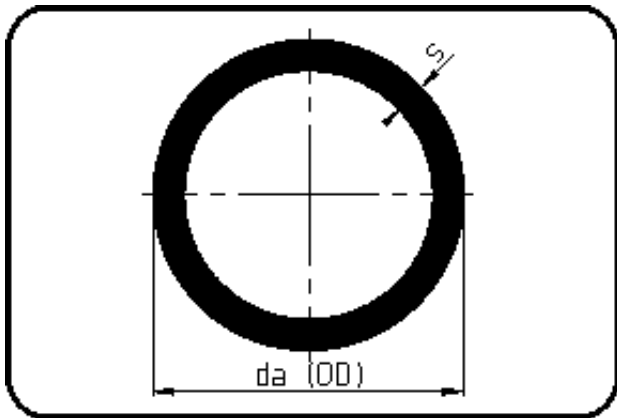


## Pipes



- Pipe 5m
- flame retardant
- extruded
- PPs grey

Dim. 110 - 160 SDR11 Discontinued products.

Dimension	Code	Detail	Weight
125	17.705.0125.41	125X3,1 SDR41 ISO S-20	1.198

	Unit	Nominale	Tol-	Tol+
da(OD)	mm	125		
s	mm	3,1	0	0,6