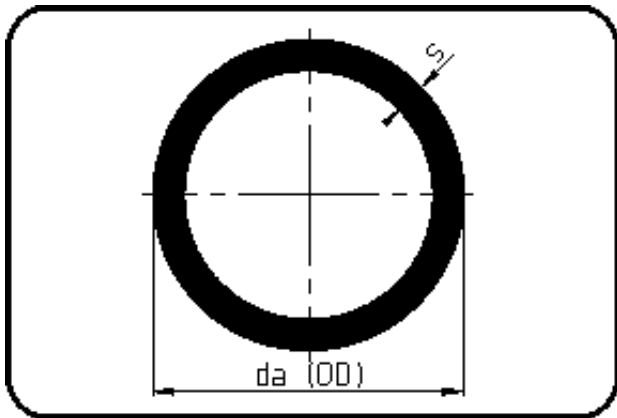


Pipes



- Pipe 5m
- flame retardant
- extruded
- PPs grey

Dim. 110 - 160 SDR11 Discontinued products.

Dimension	Code	Detail	Weight
75	17.705.0075.41	75X1,9 SDR41 ISO S-20	0.448

	Unit	Nominale	Tol-	Tol+
da(OD)	mm	75		
s	mm	1,9	0	0,4