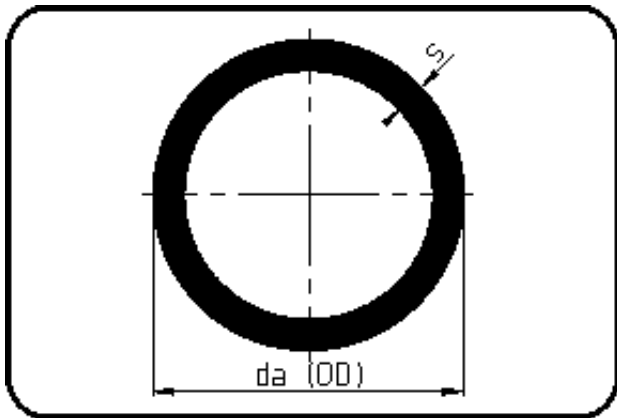


Pipes



- Pipe 5m
- flame retardant
- extruded
- PPs grey

Dim. 110 - 160 SDR11 Discontinued products.

Dimension	Code	Detail	Weight
63	17.705.0063.33	63X2,0 SDR33 ISO S-16	0.392

	Unit	Nominale	Tol-	Tol+
da(OD)	mm	63		
s	mm	2	0	0,4